

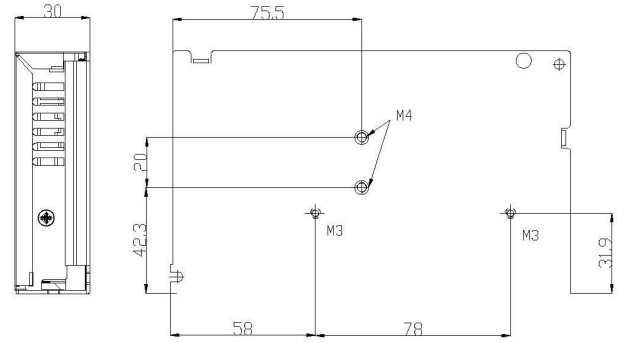
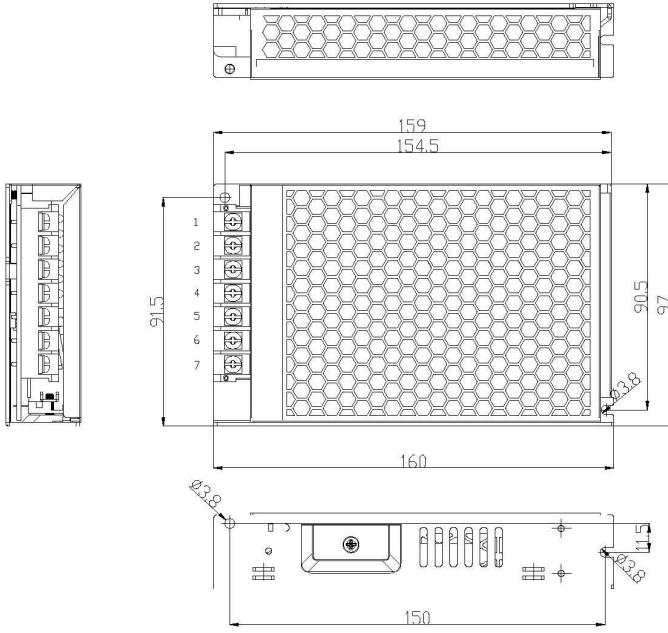
- ▲ constant voltage design
- ▲ Input 100-120VAC & 200-240VAC
- ▲ Protections: short circuit/over load/over voltage/ over temperature
- ▲ Green LED indicator for power on
- ▲ Free Air Convection
- ▲ 100% full load burn-in test
- ▲ Class I, built-in
- ▲ 3 years warranty



## SPECIFICATION

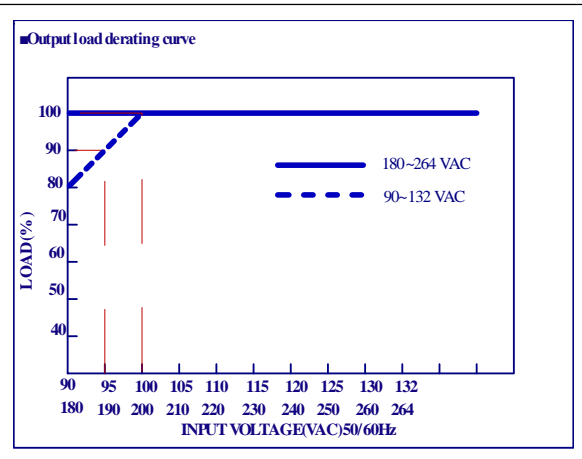
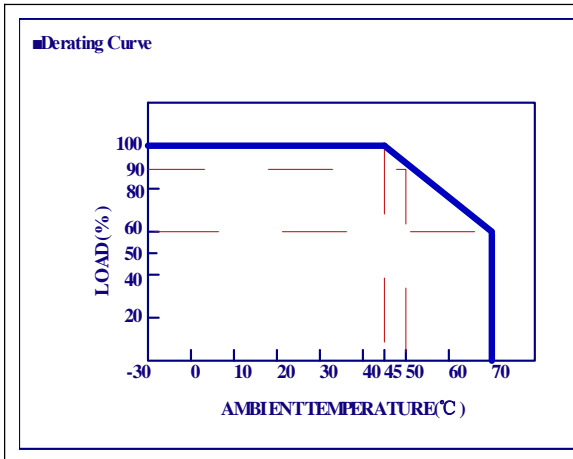
Input	Rated input voltage	100-120VAC & 200-240VAC	280-340VDC (switch on 230VAC)
	Range of input voltage	90-132VAC & 180-264VAC	250-374VDC (Refer to "output load derating curve")
	Frequency(Hz)	47-63 Hz	
	Power Factor	≥0.45 @ full load , 240VAC	
	Input Current	3A/115VAC 1.7A/230VAC	
	Unload Power Consumption	≤0.5W	
	Inrush Current	COLD START ≤60A MAX. @full load AC 230V (after 1mS)	
	Leakage Current	<0.75mA(240VAC)	
Output	Rated Voltage	12V DC	24V DC
	Voltage ADJ. Range	10.2-13.8V	20.4-27.6V
	Current range	12.5A max.	6.5A Max.
	Rated load	150W Max.	156W Max.
	Voltage Accuracy	±1% @100-120VAC&200-240VAC	
	Voltage Regulation	±0.5% @ full load	
	Load Regulation	±0.5%	
	Setup, raise time	500ms, 30ms/230VAC 500ms, 30ms/115VAC @ full load	
	Hold-up Time	≥40ms/230VAC , ≥35ms/115VAC @ full load	
	Ripple & Noise Note.2	<150mVp-p	<200mVp-p
	Efficiency(Typ.)	≥87.5% @ full load, 230VAC	≥89% @ full load, 230VAC
Protection	Over Load Protection	110-150% rated output power Protection type: Auto recovery	
	Over Voltage Protection	13.8 ~ 16.2V	28.8 ~ 33.6V
		Protection type : Latch	
	Short circuit Protection	Protection type: Auto recovery	
	Over temperature Protection	Protection type : Latch	
Environment	Operating Temperature	-30°C ... +70°C (Refer to "Derating Curve")	
	Cooling condition	Free convection	
	Storage Temp. Humidity	-40 ~ +85°C, 10 ~ 95% RH	
	Temperature coefficient	±0.03%/°C (0-50°C)	
	Working Humidity	20~95% RH, no condensation	
	Vibration	10-500Hz, 5G 10min./1cycle, 60min. each along X, Y, Z axes	
Safety & EMC	Safety standards	UL60950-1, EN60950-1, EN60335-1, EN61558-1/-2-16, GB4943	
	withstand voltage	I/P-O/P: 3.0KVAC; I/P-FG: 1.5KVAC; O/P-FG: 0.5KVAC	
	Isolation resistance	≥100M Ohms / 500VDC / 25°C / 70% RH	
	EMI	EN55022 (CISPR22) class B, GB9254 Class B, EN55014, EN61000-3-2 Class A (≤80% Load); EN61000-3-3	
	EMS	Compliance to EN61000-4-2, 3, 4, 5, 6, 8, 11, EN61000-6-2 (EN50082-2), heavy industry level, criteria A	
Others	MTBF	≥600K hrs min. MIL-HDBK-217F (25°C)	
	Dimension (L*W*H)	160*97*30mm	
	weight	0.44Kg/pc	
	packaging	35PCS/BOX	
Note	1. All parameters NOT specially mentioned are measured at 240VAC input, max rated load and 25°C of ambient temperature 2. Ripple & Noise are measured at 20MHz of bandwidth by using a 300mm twisted pair-wire terminated with a 0.1uF & 47 uF parallel capacitor.		

**MECHANICAL SPECIFICATIONS**



Terminal Pin No. Assignment

Pin No.	Assignment	Pin No.	Assignment
1	AC/L	4, 5	DC OUTPUT - V
2	AC/N	6, 7	DC OUTPUT + V
3	FG ⊥		



**DESCRIPTIONS OF CHANGE**

ITEM	BEFORE	AFTER	VERSION	DATE
Change template			A0	2017-5-27