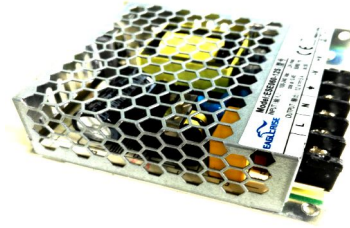


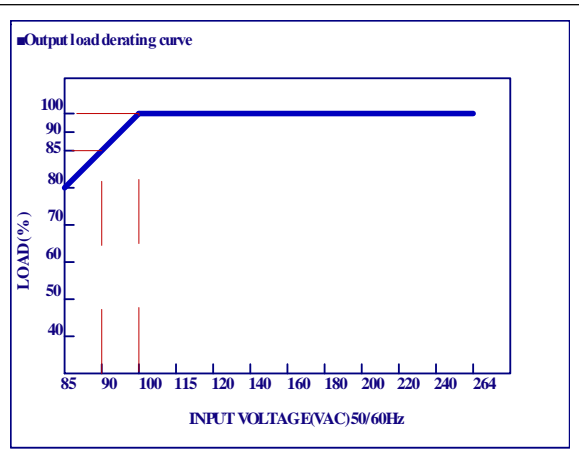
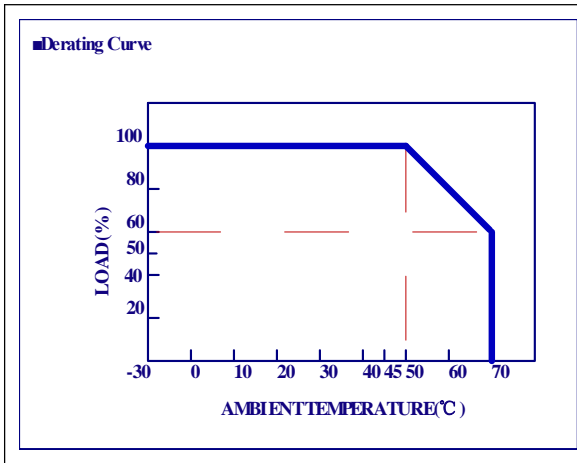
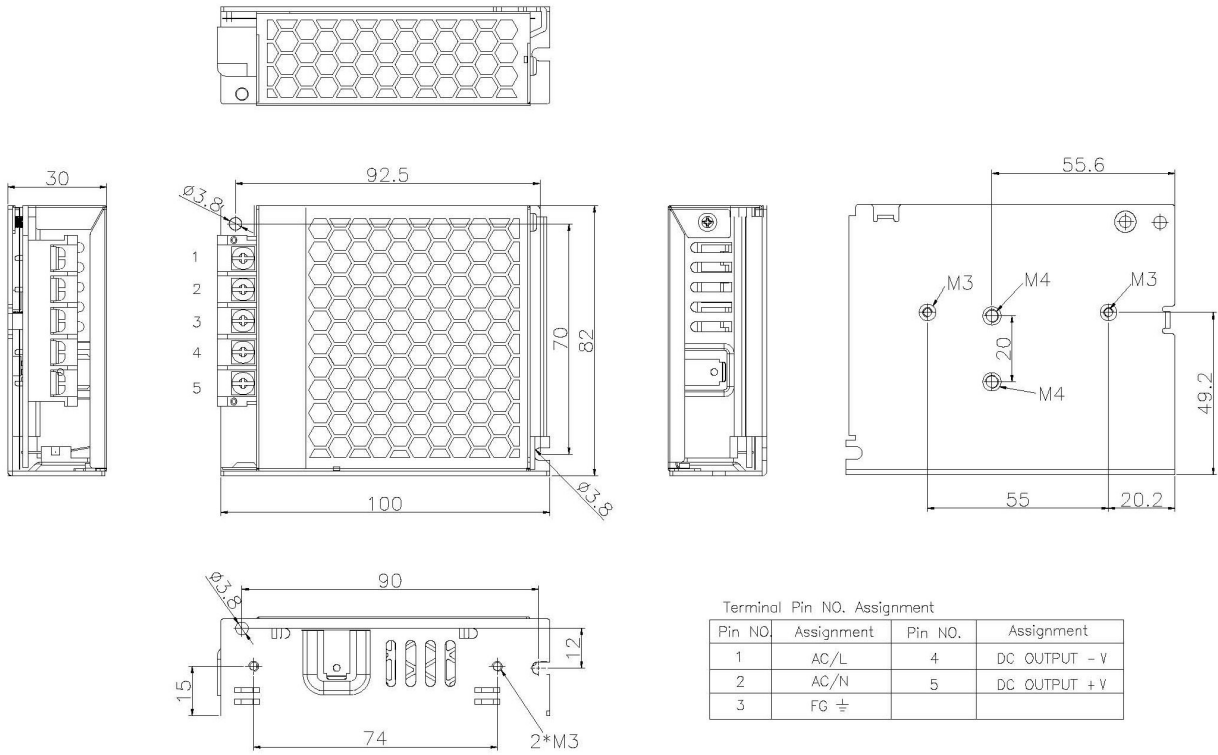
- ▲ constant voltage design
- ▲ Input 100-240VAC
- ▲ Protections: short circuit/over load/over voltage
- ▲ Green LED indicator for power on
- ▲ Free Air Convection
- ▲ 100% full load burn-in test
- ▲ Class I, built-in
- ▲ 3 years warranty



## SPECIFICATION

Input	Rated input voltage	100-240VAC 140-340VDC	
	Range of input voltage	85-264VAC 125-375VDC (Refer to "output load derating curve")	
	Frequency(Hz)	47-63 Hz	
	Power Factor	≥0.45 @Full load, 240VAC	
	Input Current	1.4A/115VAC 0.7A/230VAC	
	Unload Power Consumption	≤0.4W	
	Inrush Current	COLD START≤80A MAX. @full load AC 230V (after 1mS)	
	Leakage Current	<0.75mA(240VAC)	
Output	Rated Voltage	12V DC	24V DC
	Voltage ADJ. Range	10.2-13.8V	20.4-27.6V
	Current range	5A Max.	2.5A Max.
	Rated load	60W Max.	
	Voltage Accuracy	±1% @100-240VAC	
	Voltage Regulation	±0.5% @ full load	
	Load Regulation	±0.5%	
	Setup, raise time	500ms, 30ms/230VAC 500ms,30ms/115VAC@ full load	
	Hold-up Time	≥30ms/230VAC , ≥12ms/115VAC @ full load	
	Ripple & Noise Note.2	<150mVp-p@ Full Load,240VAC	
	Efficiency(Typ.)	≥85% @ Full Load,230VAC	≥87% @ Full Load,230VAC
Protection	Over Load Protection	110-150% rated output power Protection type: Auto recovery	
	Over Voltage Protection	13.8 ~ 16.2V	28.8 ~ 33.6V
	Short circuit Protection	Protection type: Auto recovery	
Environment	Operating Temperature	-30℃...+70℃(Refer to "Derating Curve")	
	Cooling condition	Free convection	
	Storage Temp. Humidity	-40 ~ +85℃, 10 ~ 95% RH	
	Temperature coefficient	±0.03%/℃(0-50℃)	
	Working Humidity	20~95% RH, no condensation	
	Vibration	10-500Hz,5G 10min./1cycle,60min.each along X,Y,Z axes	
Safety & EMC	Safety standards	UL60950-1, EN60950-1, EN60335-1, EN61558-1/-2-16, GB4943	
	withstand voltage	I/P-O/P:3.0KVAC; I/P-FG:1.5KVAC; O/P-FG:0.5KVAC	
	Isolation resistance	≥100M Ohms / 500VDC / 25℃/ 70% RH	
	EMI	EN55022 (CISPR22) class B, GB9254 Class B, EN55014, EN61000-3-2 Class A; EN61000-3-3	
	EMS	Compliance to EN61000-4-2,3,4,5,6,8,11, EN61000-6-2 (EN50082-2), heavy industry level, criteria A	
Others	MTBF	≥720.6K hrs min. MIL-HDBK-217F (25℃)	
	Dimension (L*W*H)	100*82*30mm	
	weight	0.25Kg/pc	
	packaging	63PCS/BOX	
Note	1. All parameters NOT specially mentioned are measured at 240VAC input, max rated load and 25℃ of ambient temperature 2. Ripple & Noise are measured at 20MHz of bandwidth by using a 300mm twisted pair-wire terminated with a 0.1uF & 47 uF parallel capacitor.		

MECHANICAL SPECIFICATIONS



**DESCRIPTIONS OF CHANGE**

ITEM	BEFORE	AFTER	VERSION	DATE
Change template			A0	2017-5-27